

## 10' x 15' Corner Specifications

### SALON BOOTH PACKAGE INCLUDES:

**Showcase Options:** Two 2M Low (6')  
One 1M Tower (3') and One 2M Low (6')

- One (1) Wastebasket
- Six (6) Wynn Hotel Ballroom Chairs
- Two (2) Tables (*please complete the Salon Package Table Order Form by May 5, 2025*)
- One (1) Track Lighting Bar with four (4) 6000K LED 12 watt fixtures
- Electrical for the showcases and the lights in each booth will be included. Any other items requiring electricity in the Salons will require an electrical order to be placed with Freeman. Please refer to the Freeman Electrical Order Form.
- Custom sign plaque with company name and booth number in Couture Type font
- One time vacuuming prior to show opening
- Daily trash removal (*please leave your wastebasket outside your booth at close of show each day*)

Note: For 2M low showcases only, in addition to track in center, one (1) track with three (3) lights hung behind sign plaque above low showcase will be added.

**Salon Size:** Open Salon measures 10' (3.05M) wide x 15' (4.57M) long x 8' (2.44M) high.  
Please see internal exhibit dimensions on attached renderings.

**Color:** Exterior walls are Morris Oak Wood Laminate. Interior walls are Light Gray Laminate.

**Decorating Interior of Salons:** All materials or adhesives must be removed from panels, showcase shelves and showcase doors at close of show. Any remaining materials or adhesives will be removed at an additional labor cost to the exhibitor.

### PLEASE NOTE:

- **There is a weight limit of 50 lbs. for each 1M wall panel.**
- **For stability, no additional lights can be added to the sign light track.**

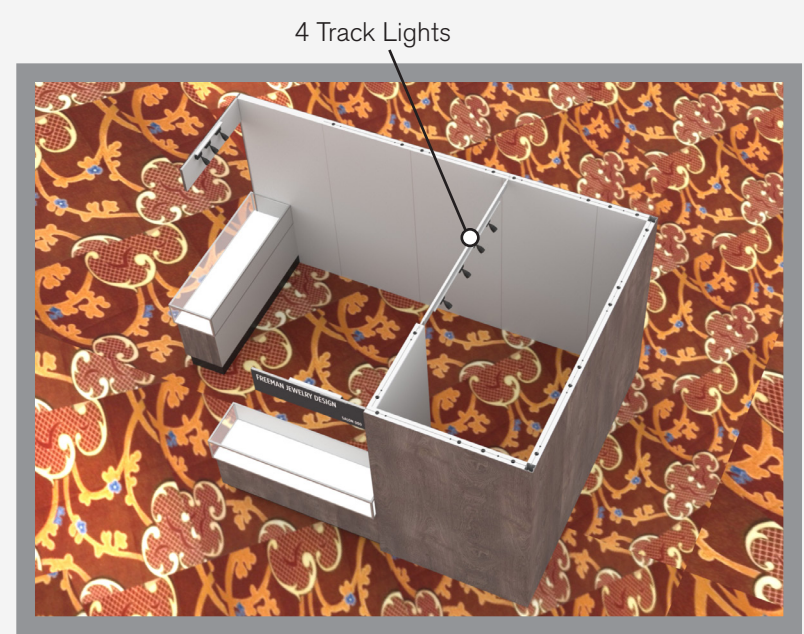
**Freeman will provide two (2) design renderings at No Charge for Salon customizations or changes. Additional revisions will be charged at \$250.00 each.**

**All salon structure changes and/or customizations must be finalized by April 18, 2025 or surcharges will apply. Changes made after May 9, 2025 will incur 30% surcharge. No additional changes allowed May 10, 2025 though show open. On May 10, 2025, your salon will be ordered at the package you purchased through COUTURE management.**

Please contact [CoutureSales@freeman.com](mailto:CoutureSales@freeman.com) to discuss further customizing your space.

# 10 X 15 CORNER SALON

2M Low Showcases Option



44"x12" ID Sign  
(There are 3 track lights behind each sign)

Light Gray Laminate

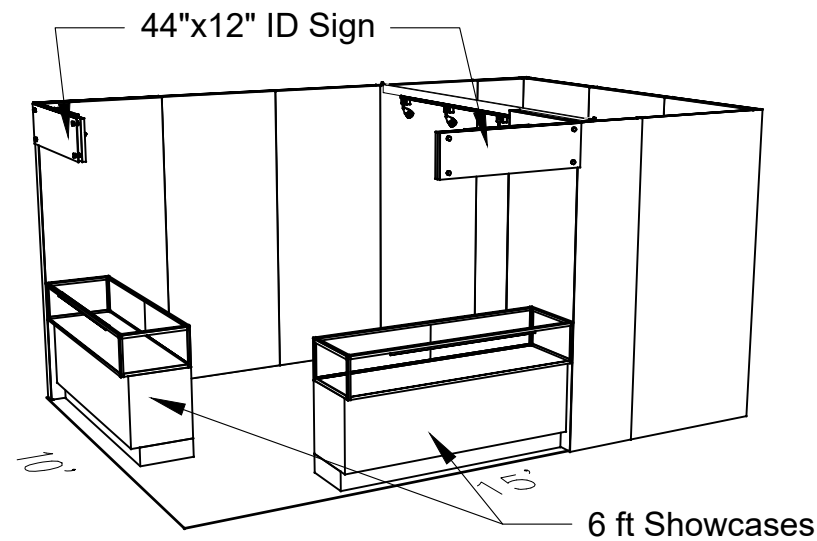
FREEMAN JEWELRY DESIGN  
SALON 000

FREEMAN JEWELRY DESIGN  
SALON 000

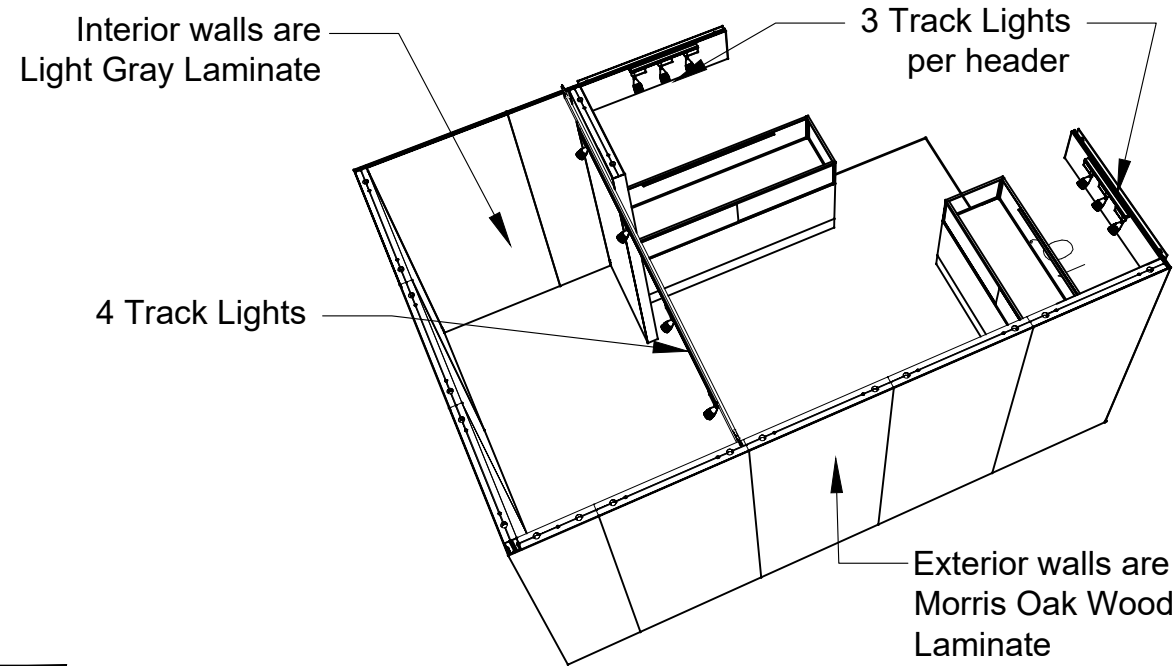
Showcases have  
LED lights integrated

Morris Oak  
Wood Laminate

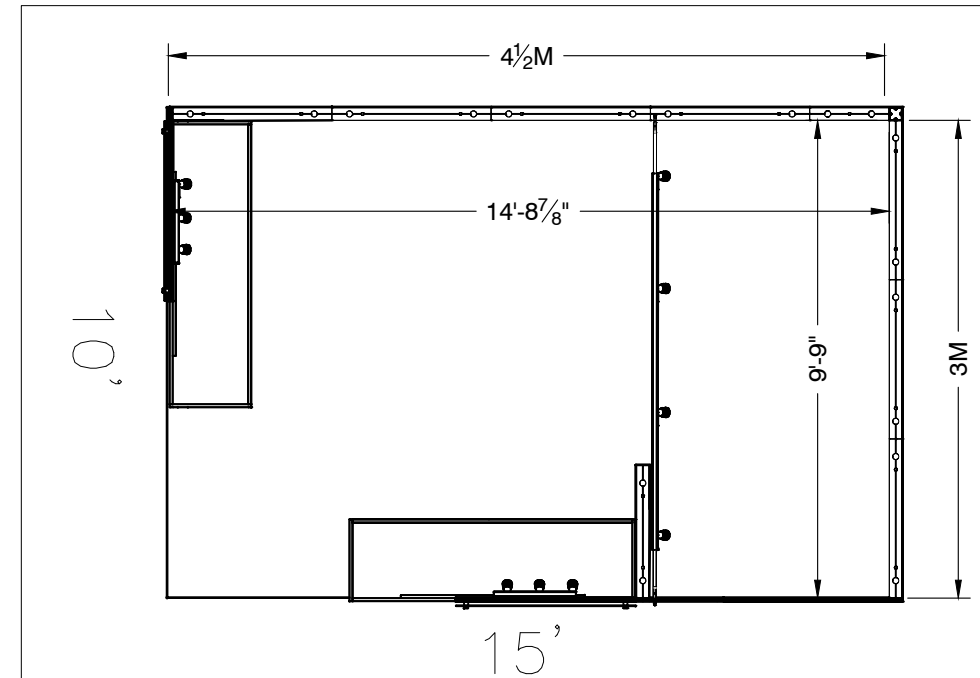
### 10x15 Premium Corner 2M Low Showcases



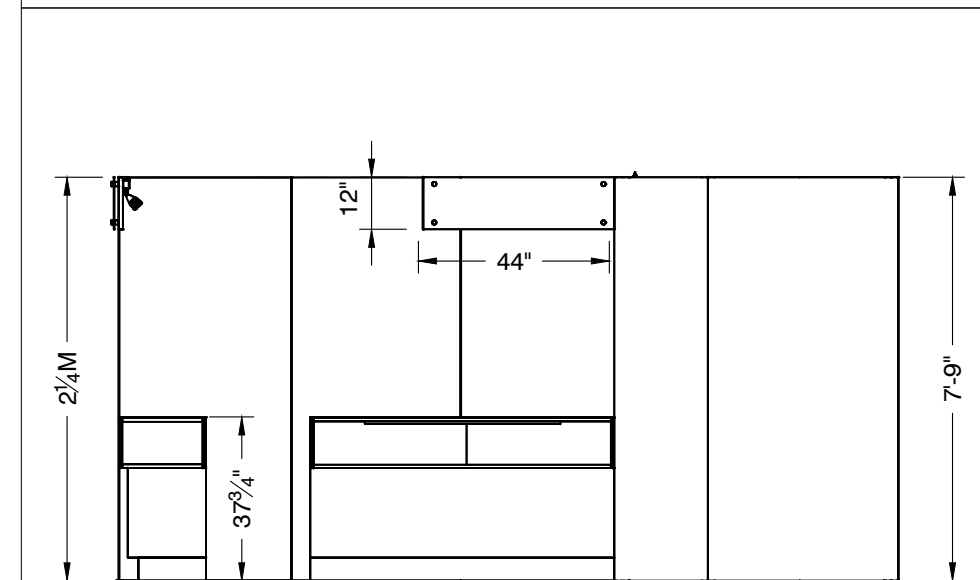
PERSPECTIVE - FRONT



PERSPECTIVE - BACK



PLAN VIEW



FRONT VIEW

LESS THAN 30 DAYS OUT



\* 0 0 5 0 5 9 0 7 0 1 - 1 0 1 1 - 0 \*

MORE THAN 30 DAYS OUT



\* 0 0 5 0 5 9 0 7 0 1 - 1 0 1 1 - 1 \*



# 10 X 15 CORNER SALON

1M Tower and Showcase Option



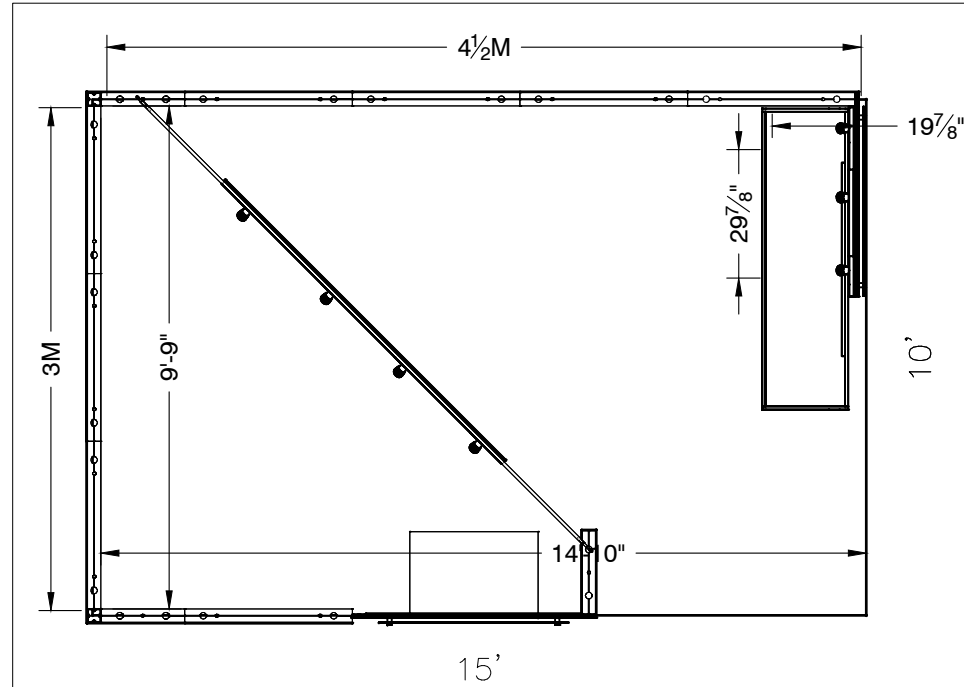
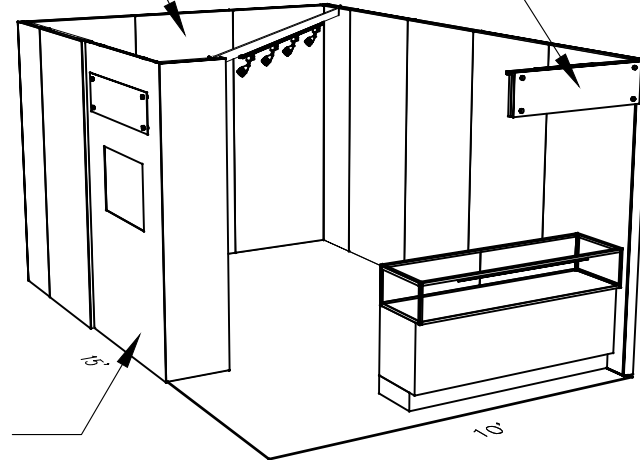
**10x15 - 1M Tower / 2M Showcase Option**

Interior walls are Light Gray Laminate

44"x12" ID Sign

1M Tower

PERSPECTIVE - FRONT



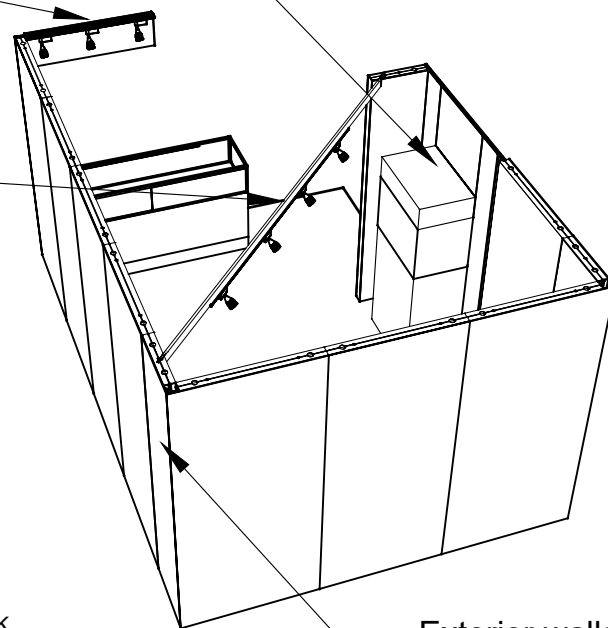
PLAN VIEW

3 Track Lights

4 Track Lights

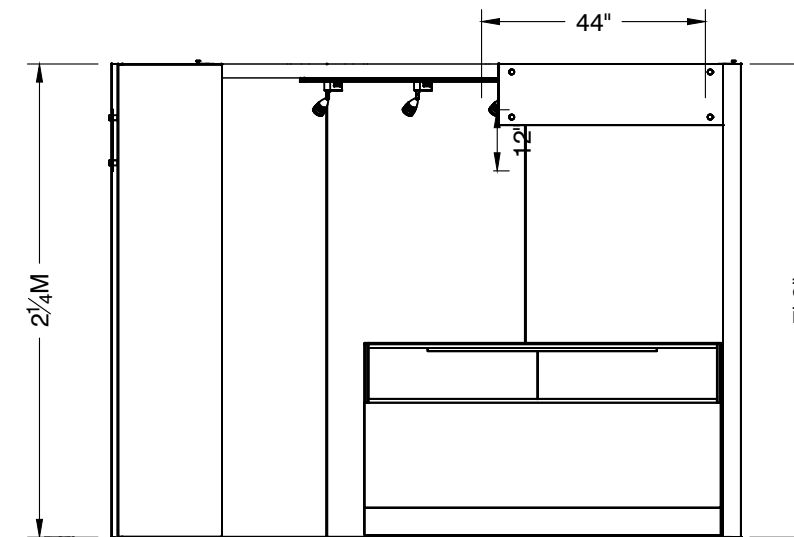
Open space above showcase

PERSPECTIVE - BACK



Exterior walls are Morris Oak Wood Laminate

FRONT VIEW



LESS THAN 30 DAYS OUT



MORE THAN 30 DAYS OUT

